



PERFORMANCE POSTURE

PERFORMANCE POSTURE

Performance Posture features a multi-function heavy duty mechanism, where each movement can be adjusted easily with the ergonomically designed controls for maximum comfort and optimal posture. The contoured seat and back cushions support the body, keep the pelvis straight and encourage the spine to assume its natural 'S' Shape.

Standard Features

- Multi-function mechanism with seat tilt, independent back angle adjustment and multi-position lock
- Seat slide
- Inflatable lumbar support
- Height adjustable ratchet back
- Black nylon base
- Height and width adjustable armrests

Optional Features

- Chrome Base (CBK)
- Coccyx relief cut-out (CXC)
- Pressure relief memory foam (MF)
- 190KG conversion (190C)



PH2A



PH1A



PP - PH1A / HEADREST DETAIL



PP - PH2 AAG / ADJUSTABLE ARMREST

PERFORMANCE POSTURE



PH1A

High back armchair with headrest and inflatable lumbar support.

DIMENSIONS	
WIDTH	640mm
DEPTH	650mm
SEAT HEIGHT	490mm
580mm	
OVERALL HEIGHT	1180mm
1270mm	



PM2A

High back armchair with inflatable lumbar support.

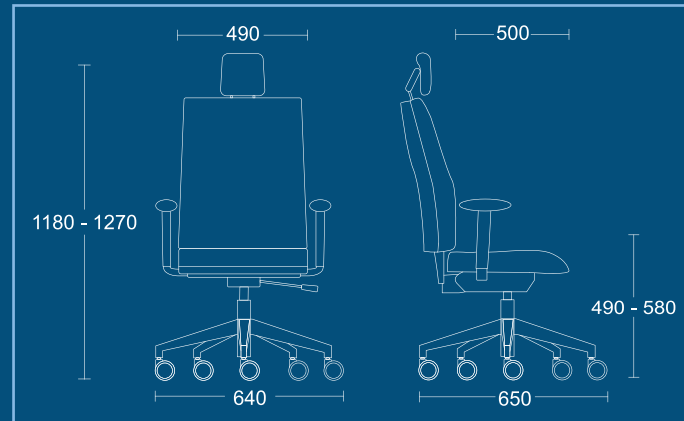
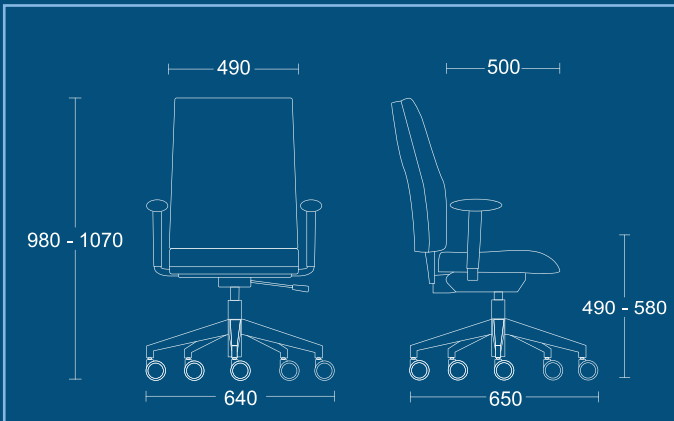
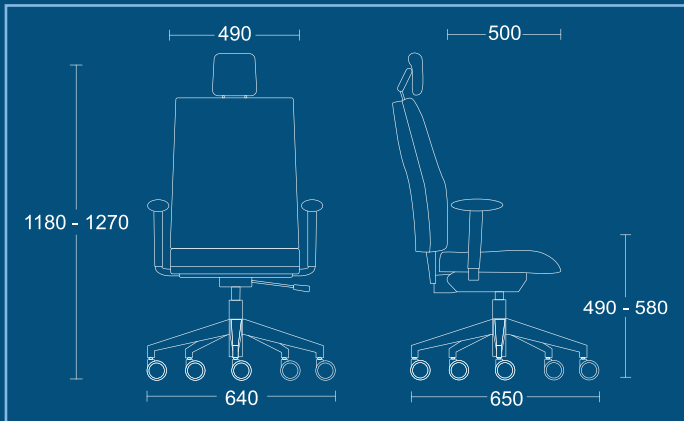
DIMENSIONS	
WIDTH	640mm
DEPTH	650mm
SEAT HEIGHT	490mm
580mm	
OVERALL HEIGHT	980mm
1070mm	



PH1 AAG

High back armchair with headrest, inflatable lumbar support and AAG arms.

DIMENSIONS	
WIDTH	640mm
DEPTH	650mm
SEAT HEIGHT	490mm
580mm	
OVERALL HEIGHT	1180mm
1270mm	



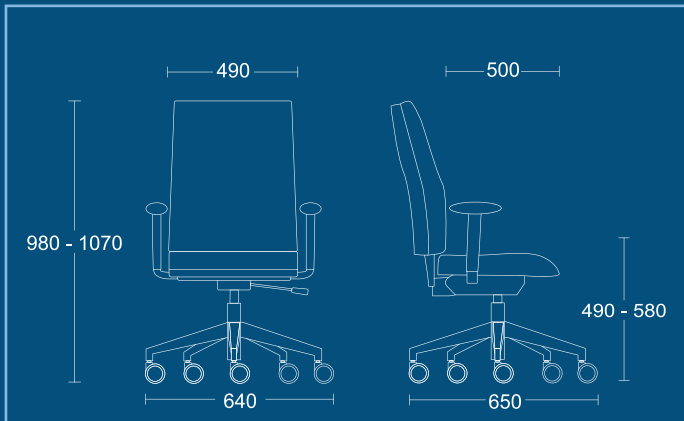
PERFORMANCE POSTURE



PM2 AAG

High back armchair with inflatable lumbar support and AAG arms.

DIMENSIONS	
WIDTH	640mm
DEPTH	650mm
SEAT HEIGHT	490mm
580mm	
OVERALL HEIGHT	980mm
1070mm	



PSI Seating Limited

Parkside Mill
Walter Street
Blackburn
Lancashire
BB1 1TL

Telephone: **01254 673400**

Fax: **01254 665571**

Email: sales@psiseating.co.uk

www.psiseating.co.uk

[/psiseating](https://www.facebook.com/psiseating)
[@psiseating](https://twitter.com/psiseating)
[/+psiseating](https://plus.google.com/+psiseating)
[/psiseating](https://www.instagram.com/psiseating)



Certificate Number 12877
ISO 9001